

Chapter 9. Built-In Furnishings and Equipment

901 General

901.1 Scope. Built-in furnishings and equipment required to be accessible by the scoping provisions adopted by the administrative authority shall comply with the applicable provisions of this chapter.

902 Seating at Tables, Counters, and Work Surfaces

902.1 General. Accessible seating at fixed tables, counters and work surfaces shall comply with Section 902.

902.2 Clear Floor or Ground Space. Clear floor or ground space complying with Section 305 shall be provided. Knee and toe clearance complying with Section 306 shall be provided.

902.3 Height. The tops of tables, counters, and work surfaces shall be 28 inches (710 mm) minimum and 34 inches (865 mm) maximum from the floor or ground.

902.4. Food and Drink Counters. Accessible food and drink counters shall be 60 inches (1525 mm) long minimum.

903 Benches

903.1 General. Benches required to be accessible shall comply with Section 903.

903.2 Clear Floor or Ground Space. Clear floor or ground space complying with Section 305 shall be provided and shall be positioned for parallel approach to an end of the bench seat.

903.3 Size. Bench seats shall be 20 inches (510 mm) minimum and 24 inches (610 mm) wide maximum by 42 inches (1065 mm) minimum long fixed to a wall along the longer dimension.

903.4 Height. The bench shall be 17 inches (430 mm) minimum and 19 inches (480 mm) maximum above the floor or ground.

903.5 Structural Strength. Allowable stresses in bending, shear, and tension shall not be exceeded for materials used where a vertical or horizontal

force of 250 pounds (1112 N) is applied at any point on the seat, fastener mounting device, or supporting structure.

903.6 Wet Locations. Where provided in wet locations the surface of the bench shall be slip resistant and water shall not accumulate on the surface.

904 Checkout and Service Counters

904.1 General. Accessible checkout and service counters shall comply with the applicable provisions of Section 904.

904.2 Checkout Counters. Checkout counter surfaces shall be 38 inches (965 mm) maximum above the floor or ground. The top of the counter edge protection shall be 2 inches (51 mm) maximum above the counter surface.

904.3 Service Counters. Counters for sales or distribution of goods and services to the public shall have a portion of the counter 36 inches (915 mm) long minimum by 36 inches (915 mm) high maximum above the floor or ground.

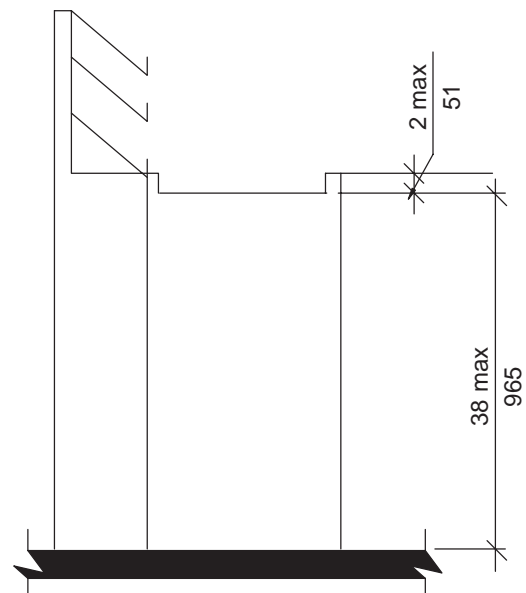


Fig. 904.2
Height of Checkout Counters

904.4 Tray Slides. The tops of accessible portions of tray slides shall be 28 inches (710 mm) minimum and 34 inches (865 mm) maximum above the floor or ground.

905 Storage Facilities

905.1 General. Accessible storage facilities shall comply with Section 905.

905.2 Clear Floor or Ground Space. A clear floor or ground space complying with Section 305 shall be provided.

905.3 Height. Accessible storage areas shall comply with at least one of the reach ranges specified in Section 308.

905.4 Operable Parts. Operable parts of storage facilities shall comply with Section 309.4.